



---

# TECHNICAL SPECS

TECHNICAL  
SPECS

# AERIS

## TECHNICAL SPECS

### INCLUDES:

- Cocoon Shell
- Combustion Chamber
- Burner Mounting Plate
- Removable Tray Bracket
- Hanging Pole(s) with Ceiling Bracket

### MATERIALS & FINISH

#### COCOON SHELL:

- **Stainless Steel:** 316 Marine Grade Stainless Steel Mirror Finish
- **Matt Black:** Carbon Steel with High Heat Resistant Black Finish (paint: 70% matt, 30% satin finish)
- **Matt White:** Carbon Steel with High Heat Resistant White Finish (paint: 70% matt, 30% satin finish)

#### HANGING POLES & CEILING BRACKET:

- **Stainless Steel:** 316 Marine Grade Stainless Steel Hairline Finish
- **Matt Black:** Carbon Steel with High Heat Resistant Black Finish (paint: 70% matt, 30% satin finish)
- **Matt White:** Carbon Steel with High Heat Resistant White Finish (paint: 70% matt, 30% satin finish)
- **Copper:** 316 Marine Grade Treated Stainless Steel Mirror Finish
- **Brass:** 316 Marine Grade Treated Stainless Steel Mirror Finish

#### COMBUSTION CHAMBER:

- 304 Marine Grade Stainless Steel Hairline Finish

### DIMENSIONS:

#### COCOON SHELL:

- Diameter 60cm (23.7" in)
- Height 38cm (15" in)

#### CEILING BRACKETS

##### Standard Ceiling Bracket:

- Diameter 19cm (7.5" in)
- Height 2.5cm (1" in)

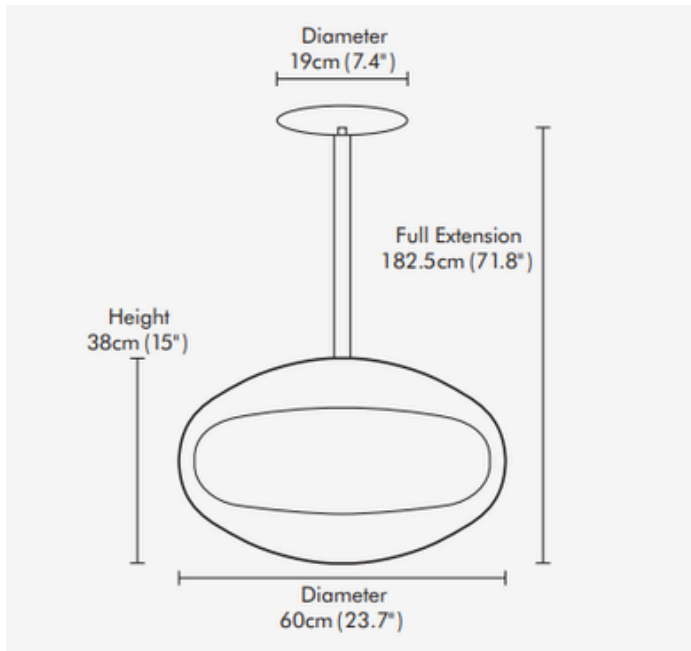
##### Angled Ceiling Bracket:

- Diameter 19cm (7.5" in)
- Height 2.5cm (1" in)

\*Additional Ceiling Brackets are available so your Cocoon Aeris can be hung in various locations throughout your home.

## STAINLESS STEEL HANGING SYSTEM

---



### Adjustable Hanging System in Stainless Steel:

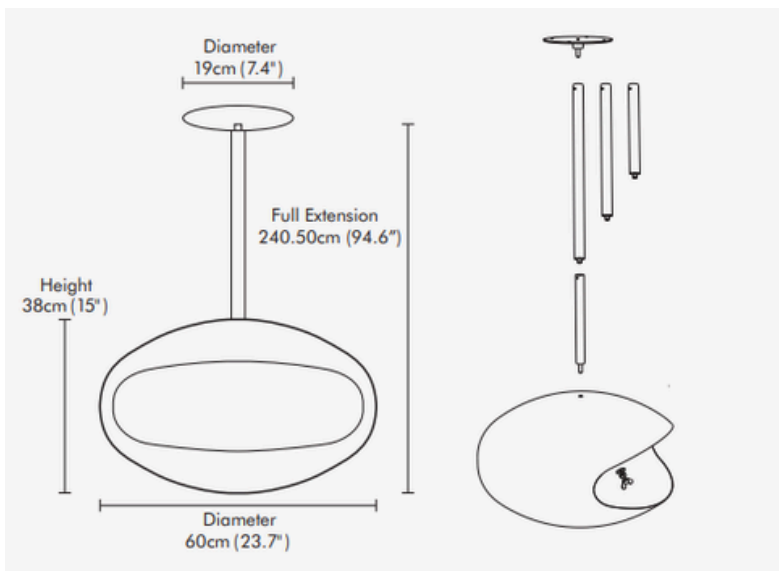
- 360° rotation possible
- Telescopic mechanism for height adjustment
- Available with Angled Ceiling Bracket
- 6 height positions
- Full hanging system extension 142cm (56" in)

#### Height Positions :

- 98.5cm (38.8" in) - minimum extension
- 107.5cm (42.3" in)
- 116.5cm (45.8" in)
- 125.5cm (49.4" in)
- 134.5cm (53" in)
- 182.5cm (72" in) - full extension (including the Shell)

## COLOURED HANGING SYSTEM - MATT BLACK, MATT WHITE, COPPER AND BRASS

---



### Hanging System - Black, White, Copper and Brass

- 360° rotation NOT possible
- Combination Hanging System poles for height adjustment
- Available with Angled Ceiling Bracket
- Full hanging system extension 202.50cm (80" in)

#### Hanging System Poles:

- (25cm (10" in) connection pole (not optional))
- 25cm (10" in) Hanging System Pole
- 50cm (20" in) Hanging System Pole
- 100cm (40" in) Hanging System Pole
- 240.50cm (94.6" in) - full extension (including the Shell)

# PEDESTAL

TECHNICAL SPECS

## INCLUDES:

- Cocoon Shell
- Combustion Chamber
- Burner Mounting Plate
- Removable Tray Bracket
- Pedestal Base

## MATERIALS & FINISH

### COCOON SHELL:

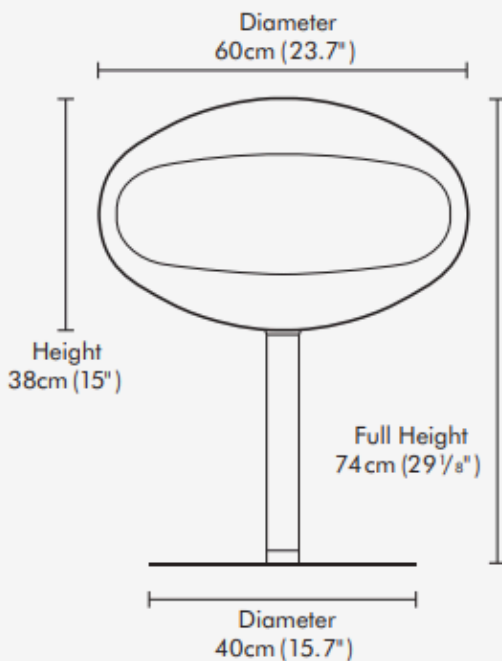
- **Stainless Steel:** 316 Marine Grade Stainless Steel Mirror Finish
- **Matt Black:** Carbon Steel with High Heat Resistant Black Finish (paint: 70% matt, 30% satin finish)
- **Matt White:** Carbon Steel with High Heat Resistant White Finish (paint: 70% matt, 30% satin finish)

### PEDESTAL STAND:

- **Stainless Steel:** 316 Marine Grade Stainless Steel Mirror Finish
- **Matt Black:** Carbon Steel with High Heat Resistant Black Finish (paint: 70% matt, 30% satin finish)
- **Matt White:** Carbon Steel with High Heat Resistant White Finish (paint: 70% matt, 30% satin finish)
- **Copper:** 316 Marine Grade Treated Stainless Steel Mirror Finish
- **Brass:** 316 Marine Grade Treated Stainless Steel Mirror Finish

### COMBUSTION CHAMBER:

- 304 Marine Grade Stainless Steel Hairline Finish



## DIMENSIONS

### COCOON SHELL:

- Diameter 60cm (23.7" in)
- Height 38cm (15" in)

### PEDESTAL STAND:

- Diameter 40cm (15.7" in)
- Height 36cm (14.17" in)
- Overall Height 74cm (29.13" in) including Cocoon shell

# TERRA

## TECHNICAL SPECS

### INCLUDES:

- Cocoon Shell
- Combustion Chamber
- Burner Mounting Plate
- Removable Tray Bracket
- Legs

### MATERIALS & FINISH

#### COCOON SHELL & PEDESTAL STAND:

- **Stainless Steel:** 316 Marine Grade Stainless Steel Mirror Finish
- **Matt Black:** Carbon Steel with High Heat Resistant Black Finish (paint: 70% matt, 30% satin finish)

#### COMBUSTION CHAMBER:

- 304 Marine Grade Stainless Steel Hairline Finish

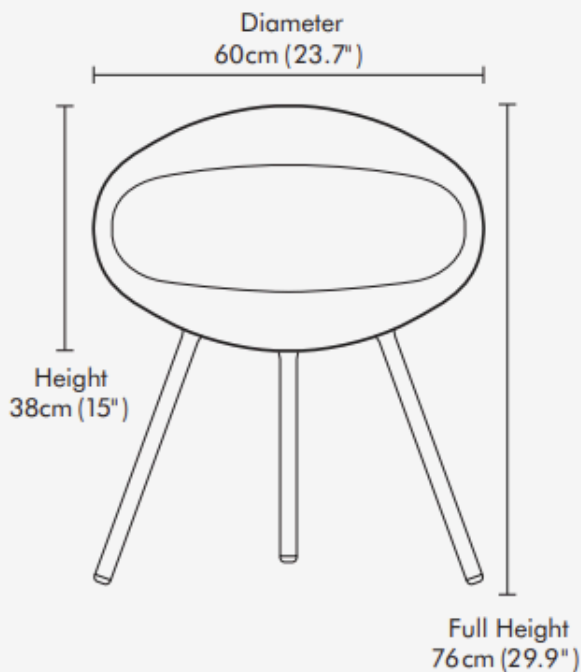
### DIMENSIONS:

#### COCOON SHELL:

- Diameter 60cm (23.7" in)
- Height 38cm (15" in)

#### LEGS:

- Height 37.4cm (14.72" in)
- Overall Height 75.5cm (29.69" in) including Cocoon shell



# VELLUM

## TECHNICAL SPECS

### INCLUDES

- Cocoon Shell
- Combustion Chamber

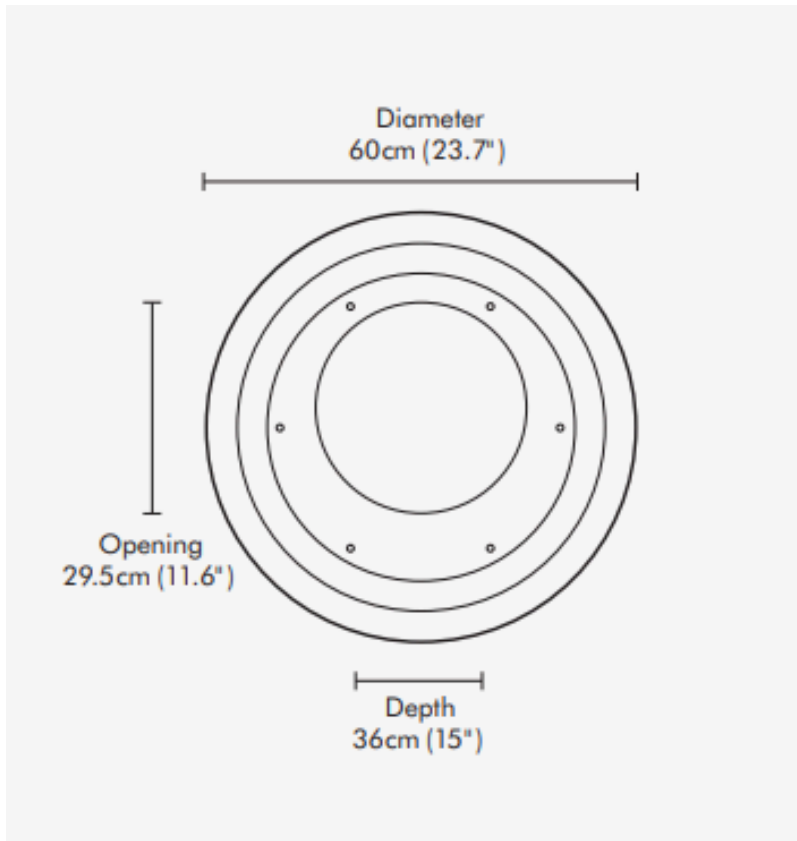
### MATERIALS & FINISH

#### COCOON SHELL & LEGS:

- **Stainless Steel:** 316 Marine Grade Stainless Steel  
Mirror Finish
- **Matt Black:** Carbon Steel with High Heat Resistant  
Black Finish (paint: 70% matt, 30% satin finish)

#### COMBUSTION CHAMBER:

- 304 Marine Grade Stainless Steel Hairline Finish



### DIMENSIONS:

- Diameter 60cm (23.62" in)
- Opening 29.5cm (11.61" in)
- Depth 36cm (14.17" in)