

TOKYO Black Front - Wall Mounted fireplace - Denver F6 620

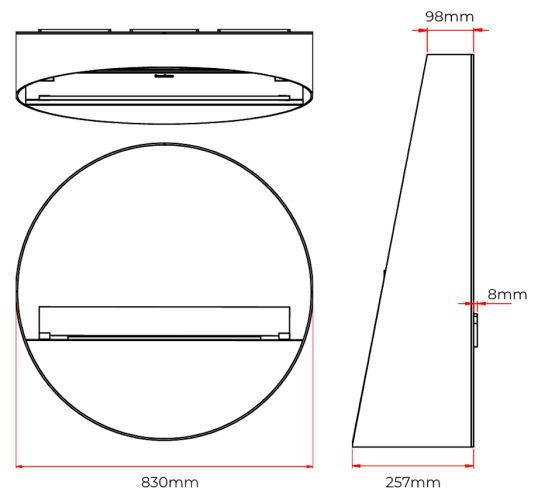
Tokyo is a wall-mounted bioethanol fireplace designed for contemporary interiors. The circular construction creates a distinct architectural element with a defined and balanced form. The fireplace can be configured with interchangeable front panels in a range of metal finishes. Tokyo is supplied with the Denver F6 burner, featuring 5 + ECO flame levels, e-Ribbon™ Technology, integrated safety sensors and app-based control. The fireplace is developed as a plug-and-play solution, including an electronic refuelling pump for safe and controlled operation.



ELECTRONIC PUMP
Included: External customised filling pump for safe and easy refuelling. Can also be used to empty the fuel tank if required.



OPERATION
Included: Control the fireplace effortlessly using the included remote control, the DecoFlame app, or the integrated LCD control panel on the burner.



GENERAL INFORMATION

Model	Tokyo
Configuration	Wall Hung Model
Burner Model	Denver F6 620
Operation Type	Electronic
Production	Made in Denmark

DESIGN & MATERIALS

Material	Stainless steel / Powder-coated aluminium
Finish	Black / Black front
Glass Quality	Tempered diamond clear glass
Standard Glass	1x Low Glass

BURNER SPECIFICATIONS

Fuel Type	Demineralised water
Flametray (mm)	400
Flame Levels	5 + ECO-Wave

PHYSICAL SPECIFICATIONS

Dimensions (mm)	Ø: 830 × D: 257
Glass Dimensions (mm)	Low Glass: L: 700 × H: 80 × T: 6
Weight: (kg)	27.0

PERFORMANCE

Capacity (L)	3.8
Max Level Burn Time (H)	8.0
Nominal Heat Output (kW)	2.6
Fuel consumption (ml/h)	Depending on flame level

INSTALLATION REQUIREMENTS

Cut-out Dimensions (mm)	N/A
Minimum Room Size (m ³)	51
Power Supply	230 V AC (220 V compatible), 50–60 Hz, earthed supply
Chimney	Not Required
Installation Environment	Indoor

FEATURES

Safety Features	Automatic emergency shut-off / Spill and safety sensors
Included Features	e-Ribbon Technology / Remote Control / App Operation / External Fuel Pump with Quick Connection / LCD display
Add-on Features	SmartHome integration

DISCLAIMER – DECOFLAME ApS

All product specifications and technical data are subject to change without prior notice and are considered accurate as of the date of publication. Decoflame ApS, including its affiliates, employees, agents and other representatives (collectively referred to as "Decoflame ApS"), disclaims all liability for any errors, inaccuracies, or omissions in this document or in any other product-related information. Decoflame ApS shall not be held liable for any damage, loss, or indirect consequences arising from the use, installation, or operation of the products, unless otherwise required under applicable law. It is the user's responsibility to ensure correct installation and usage in accordance with applicable safety standards and the manufacturer's instructions. No licence, whether express or implied, to any intellectual property rights is granted through this document. Customers who use or sell Decoflame ApS products for purposes not explicitly specified do so at their own risk and agree to indemnify Decoflame ApS against any claims or damages resulting from such use. Fuel consumption may vary depending on individual units, environmental conditions, and operating parameters. Product images are for illustrative purposes only and may differ from the actual product. This limitation of liability does not apply where it would conflict with mandatory consumer protection laws.